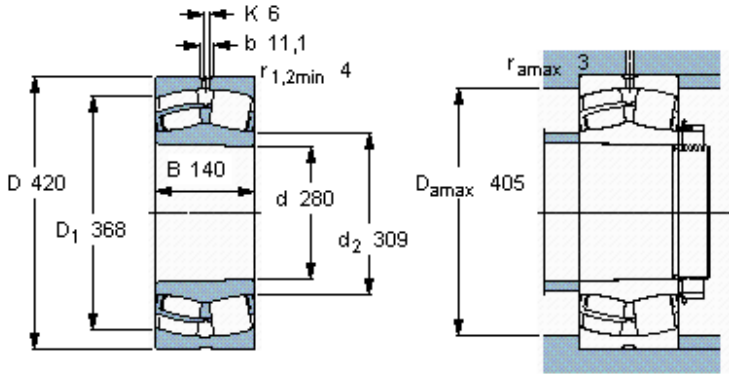


Spherical roller bearings, cylindrical and tapered bore

Principal dimensions			Basic load ratings		Speed ratings		Designation
d	D	B	dynamic C	static C0	Reference speed	Limiting speed	
mm			kN		r/min		
<b>280</b>	420	140	2248	3800	950	1400	<b>* SKF Explorer bearing</b> 24056 CCK30/W33 *



Tapered bore, taper  
1: 30

**Calculation factors**

- e 0,31
- $Y_1$  2,2
- $Y_2$  3,3
- $Y_0$  2,2